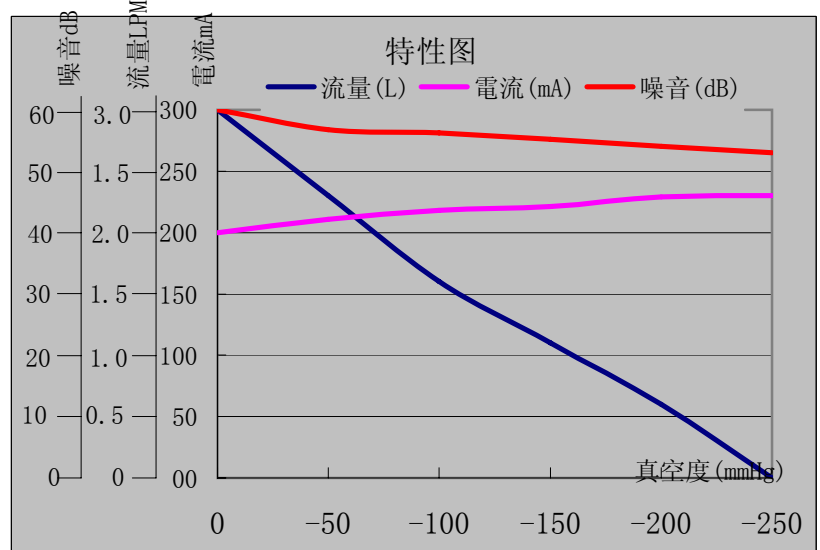


微型真空泵KPV20A-6A

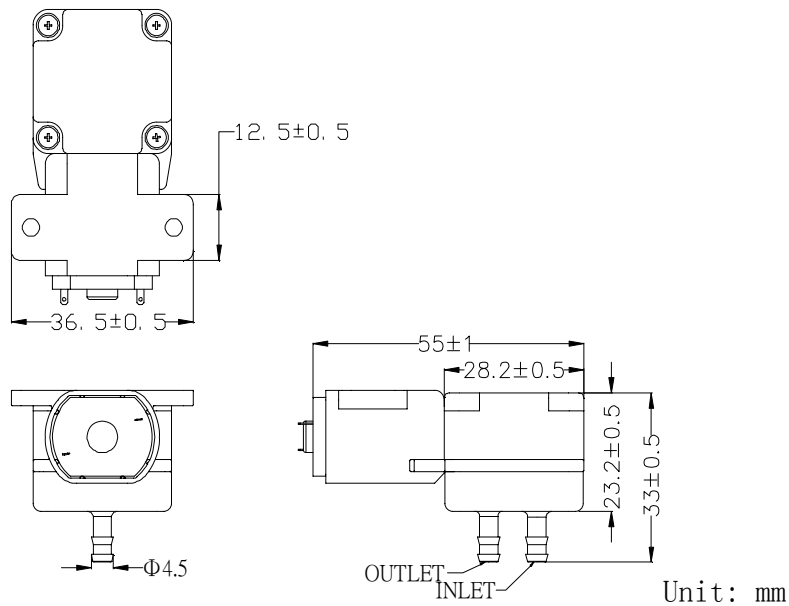
產品照片 Photo:



特性曲綫圖 Characteristic Curve:



產品尺寸: Dimension



產品特性: Characteristic

- | | |
|--------------------------------------|---|
| 1. 定格電壓 Rated Voltage | DC6V |
| 2. 使用電壓範圍 Range of Operating Voltage | DC5.4~ 6.0 V |
| 3. 定格電流 Rated Voltage | <270mA |
| 5. 消費功率 Power Consumption | 1.22W |
| 6. 使用流体 Fluid Applied | Air |
| 7. 氣嘴口徑 Outlet Port O.D. | 4.5mm |
| 8. 真空流量 Vacuum Air Flow | >1.5LPM |
| 9. 最大真空度 Maximum Vacuum | <-175mmHg |
| 10. 最低使用電壓 Restart Voltage | 3.0V |
| 11. 噪音 Noise | <75dB (30cm away) |
| 12. 壽命 Life | 30,000 times (on 5sec, off 7sec as one cycle) |