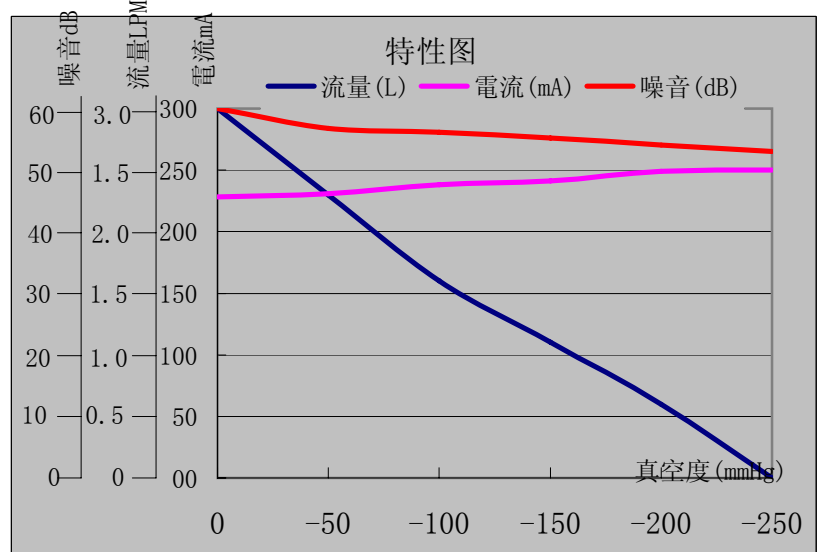


微型真空泵KPV20A-5A

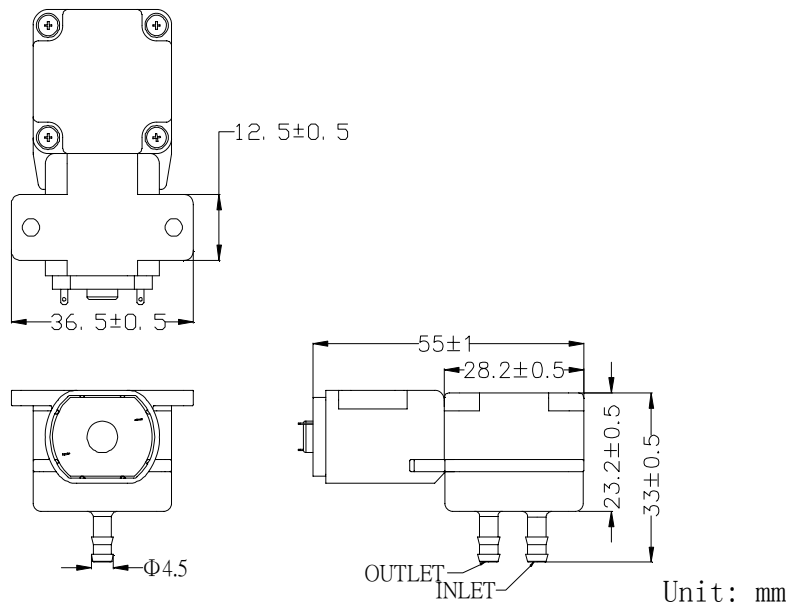
產品照片 Photo:



特性曲綫圖 Characteristic Curve:



產品尺寸: Dimension



產品特性: Characteristic

- |                                      |   |
|--------------------------------------|---|
| 1. 定格電壓 Rated Voltage                | DC4.5V  |
| 2. 使用電壓範圍 Range of Operating Voltage | DC3.0~ 5.0 V                                  |
| 3. 定格電流 Rated Voltage                | <270mA  |
| 5. 消費功率 Power Consumption            | 1.22W   |
| 6. 使用流体 Fluid Applied                | Air   |
| 7. 氣嘴口徑 Outlet Port O.D.             | 4.5mm   |
| 8. 真空流量 Vacuum Air Flow              | >1.5LPM                                       |
| 9. 最大真空度 Maximum Vacuum              | <-175mmHg                                     |
| 10. 最低使用電壓 Restart Voltage           | 3.0V  |
| 11. 噪音 Noise                         | <75dB (30cm away)                             |
| 12. 壽命 Life                          | 30,000 times (on 5sec, off 7sec as one cycle) |