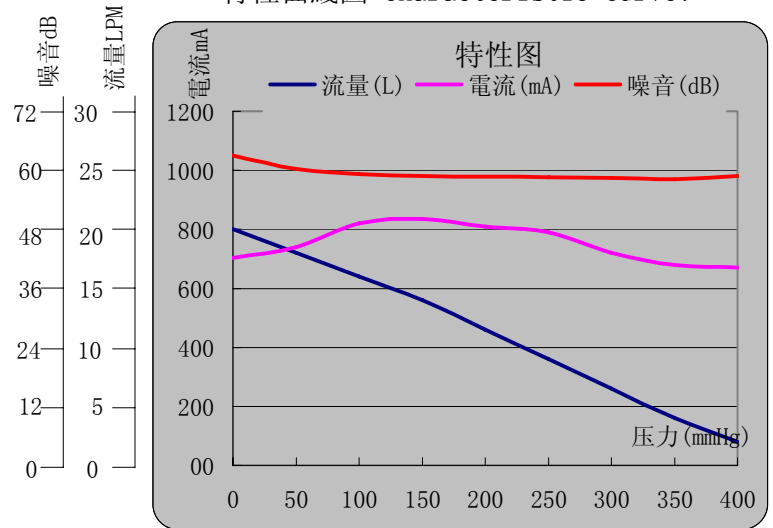


微型充气泵KPM36A-24A

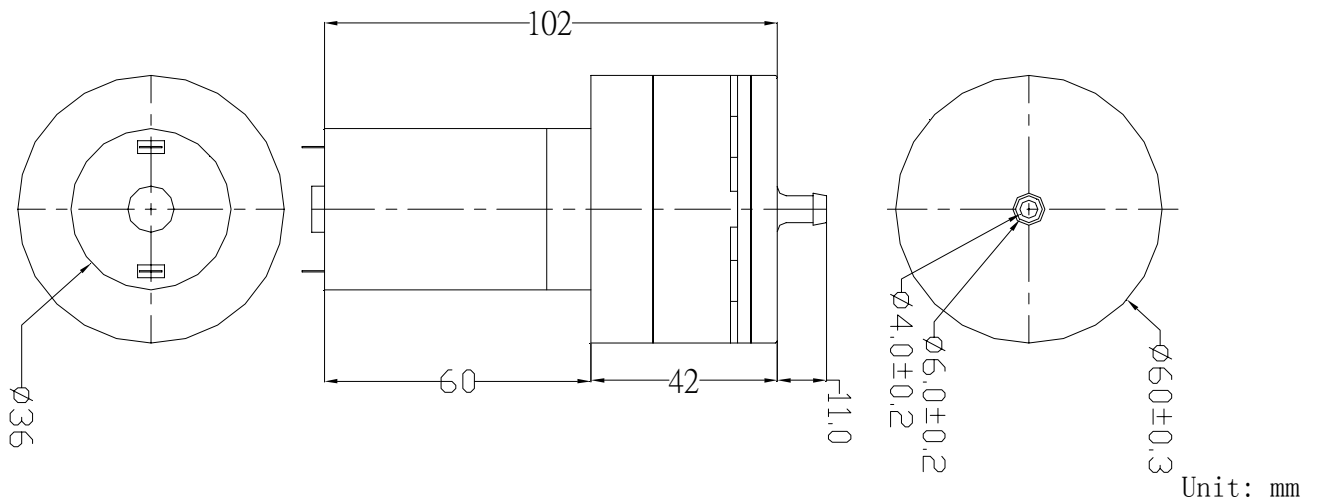
產品照片 Photo:



特性曲綫圖 Characteristic Curve:



產品尺寸: Dimension



產品特性: Characteristic

- | | |
|--------------------------------------|---|
| 1. 定格電壓 Rated Voltage | DC 24.0 V |
| 2. 使用電壓範圍 Range of Operating Voltage | DC 13.0~ 25.0 V |
| 3. 定格電流 Rated Voltage | <900mA |
| 4. 充氣時間 Inflation Time | <4sec (From 0 to 150mmHg in a 1500cc tank) |
| 5. 消費功率 Power Consumption | 21.6W |
| 6. 使用流体 Fluid Applied | Air |
| 7. 氣嘴口徑 Outlet Port O.D. | 6.0mm |
| 8. 流量 Air Flow | >10.0LPM |
| 9. 最大壓力 Maximum Pressure | >500mmHg |
| 10. 氣密性 Leakage | Max 5mmHg/min (From 150mmHg at 1500cc tank) |
| 11. 最低使用電壓 Restart Voltage | 13.0V |
| 12. 噪音 Noise | <70dB (30cm away) |
| 13. 壽命 Life | 30,000 times (on 4sec, off 4sec as one cycle) |