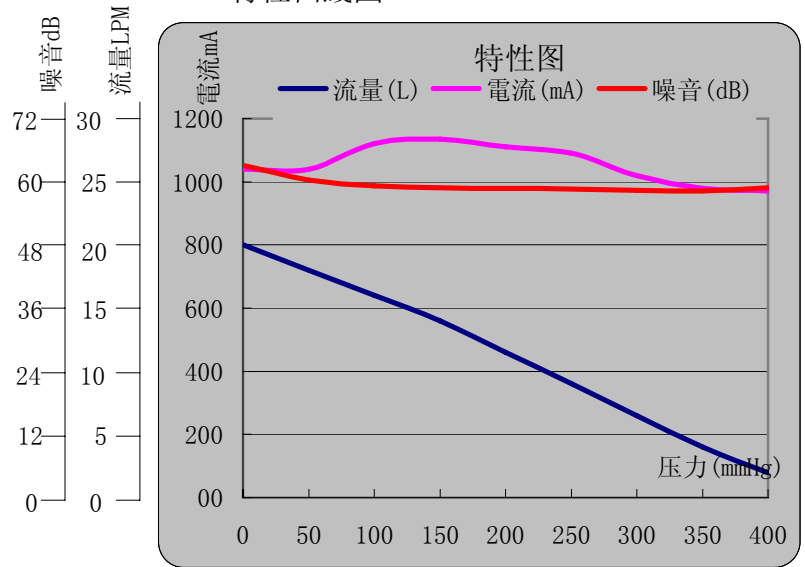


微型充气泵KPM36A-12B

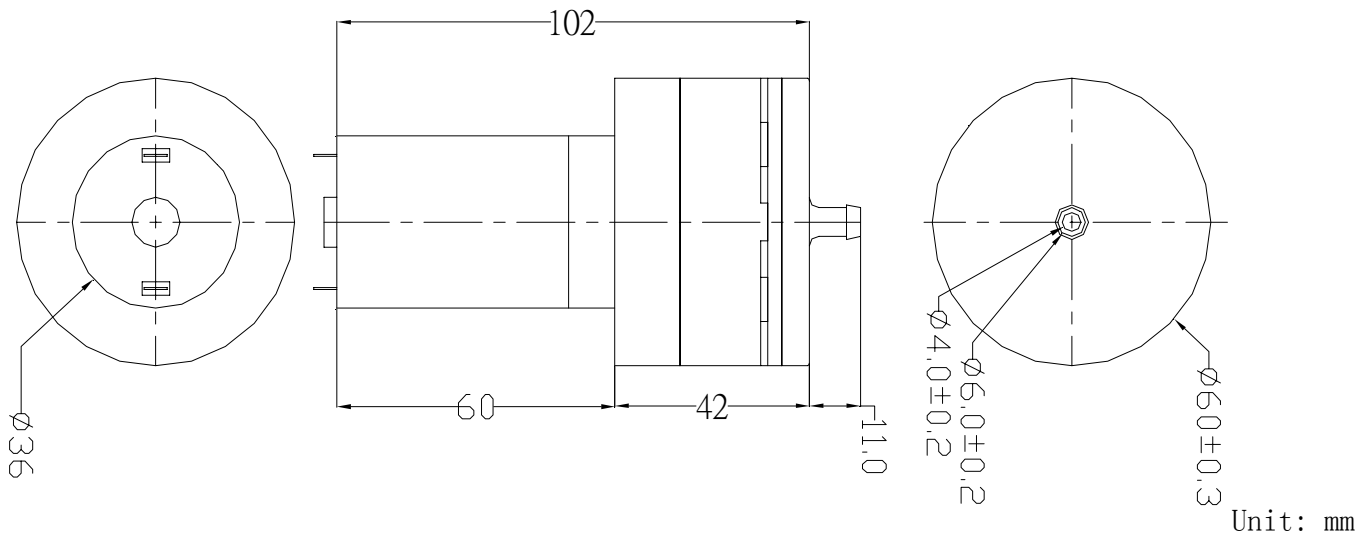
產品照片 Photo:



特性曲綫圖 Characteristic Curve:



產品尺寸: Dimension



產品特性: Characteristic

- |                                      |   |
|--------------------------------------|---|
| 1. 定格電壓 Rated Voltage                | DC12V   |
| 2. 使用電壓範圍 Range of Operating Voltage | DC8.0~ 13.0 V                                 |
| 3. 定格電流 Rated Voltage                | <1800mA                                       |
| 4. 消費功率 Power Consumption            | 21.6W   |
| 5. 使用流体 Fluid Applied                | Air   |
| 6. 氣嘴口徑 Outlet Port O.D.             | 6.0mm   |
| 7. 流量 Air Flow                       | >15.0LPM                                      |
| 8. 最大壓力 Maximum Pressure             | >380mmHg                                      |
| 9. 最低使用電壓 Restart Voltage            | 8.0V  |
| 10. 噪音 Noise                         | <70dB (30cm away)                             |
| 11. 壽命 Life                          | 30,000 times (on 4sec, off 4sec as one cycle) |