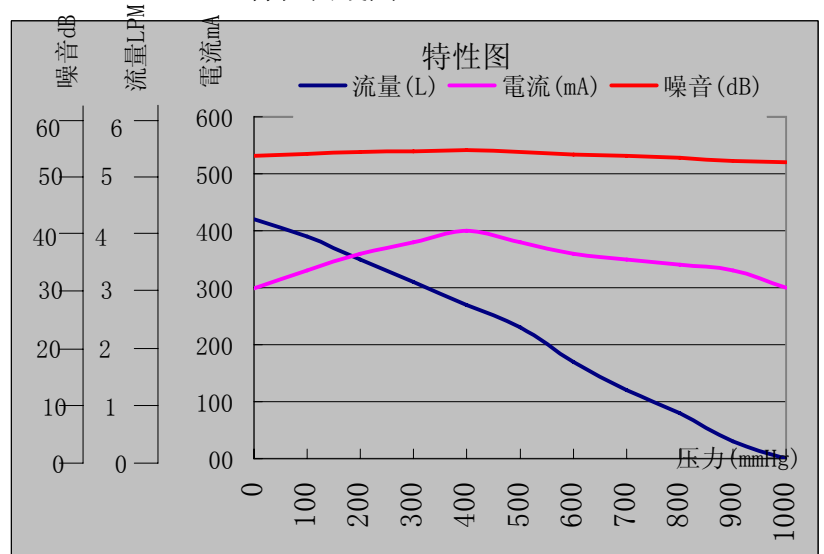


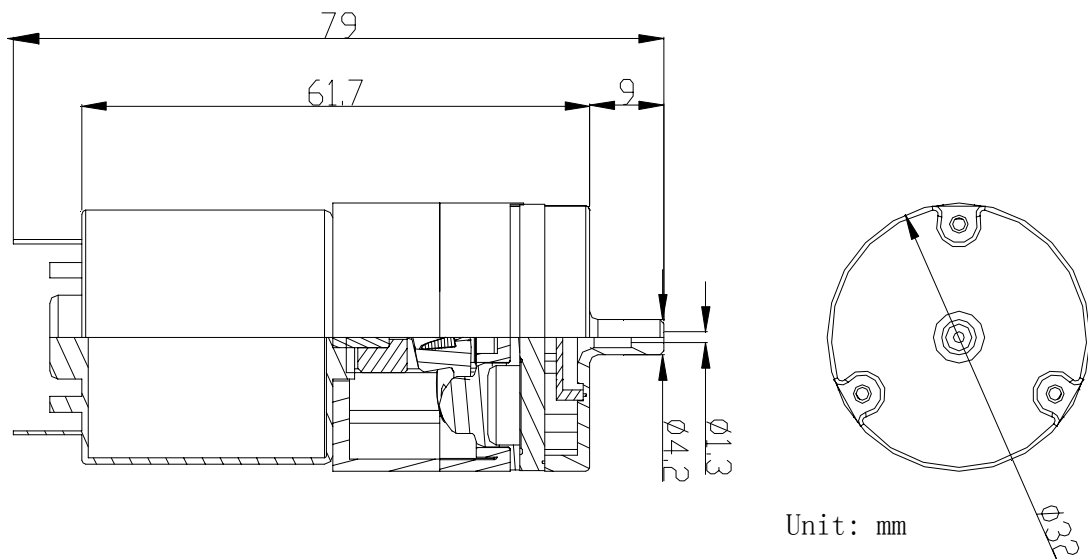
微型充气泵KPM32D-12A

產品照片 Photo:

特性曲線圖 Characteristic Curve:



產品尺寸: Dimension



產品特性: Characteristic

- | | |
|--------------------------------------|--|
| 1. 定格電壓 Rated Voltage | DC12.0V |
| 2. 使用電壓範圍 Range of Operating Voltage | DC10.8~ 13 V |
| 3. 定格電流 Rated Current | <600mA |
| 4. 充氣時間 Inflation Time | <7.5sec (From 0 to 300mmHg in a 500cc tank) |
| 5. 消費功率 Power Consumption | 4.68W |
| 6. 使用流体 Fluid Applied | Air |
| 7. 氣嘴口徑 Outlet Port O.D. | 4.2mm |
| 8. 流量 Air Flow | >3.5LPM |
| 9. 最大壓力 Maximum Pressure | >650mmHg |
| 10. 氣密性 Leakage | Max 2mmHg/min (From 300mmHg at 500cc tank) |
| 11. 最低使用電壓 Restart Voltage | 10.8V |
| 12. 噪音 Noise | <65dB (30cm away) |
| 13. 壽命 Life | 50,000 times (on 10sec, off 5sec as one cycle) |