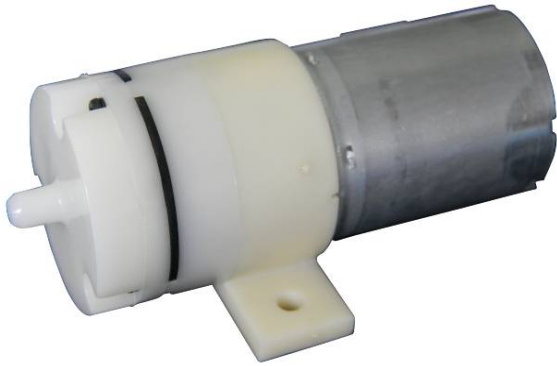
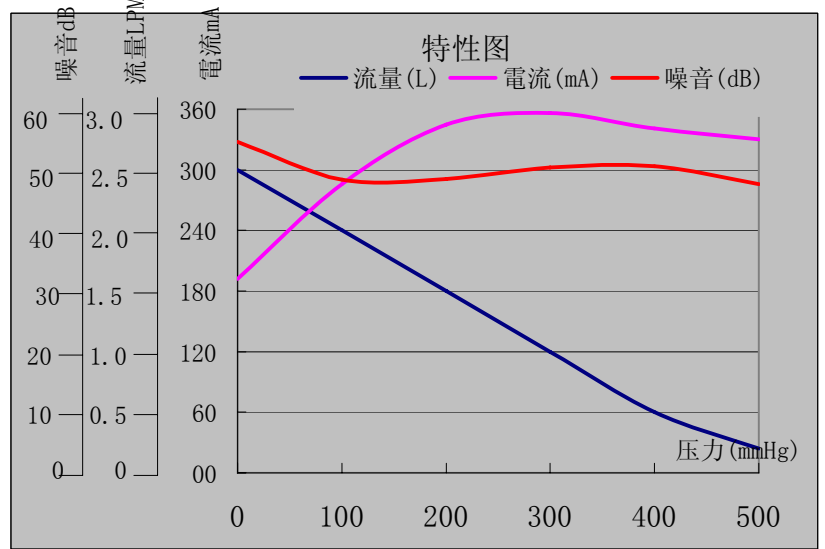


微型充气泵KPM27S-12A

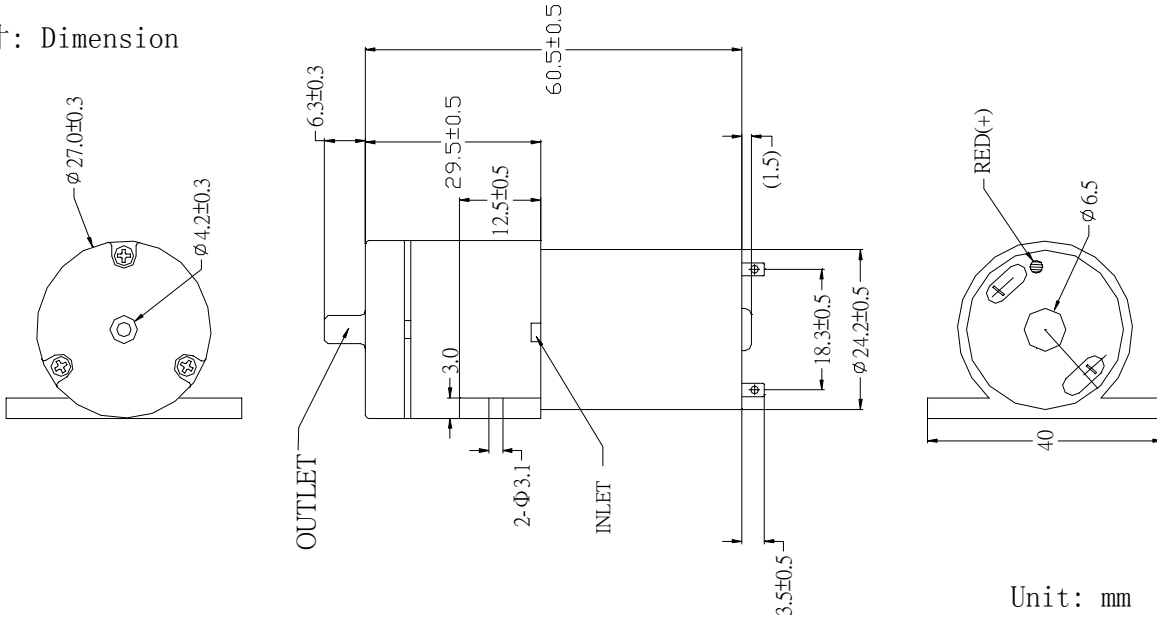
產品照片 Photo:



特性曲綫圖 Characteristic Curve:



產品尺寸: Dimension



產品特性: Characteristic

- | | |
|--------------------------------------|---|
| 1. 定格電壓 Rated Voltage | DC12.0V |
| 2. 使用電壓範圍 Range of Operating Voltage | DC10.8~ 13.2 V |
| 3. 定格電流 Rated Voltage | <430mA |
| 4. 充氣時間 Inflation Time | <10sec (From 0 to 300mmHg in a 500cc tank) |
| 5. 消費功率 Power Consumption | 2.4W |
| 6. 使用流体 Fluid Applied | Air |
| 7. 氣嘴口徑 Outlet Port O.D. | 4.2mm |
| 8. 流量 Air Flow | >2.0LPM |
| 9. 最大壓力 Maximum Pressure | >400mmHg |
| 10. 氣密性 Leakage | Max 3mmHg/min (From 300mmHg at 500cc tank) |
| 11. 最低使用電壓 Restart Voltage | 4.0V |
| 12. 噪音 Noise | <63dB (30cm away) |
| 13. 壽命 Life | 30,000 times (on 9sec, off 8sec as one cycle) |