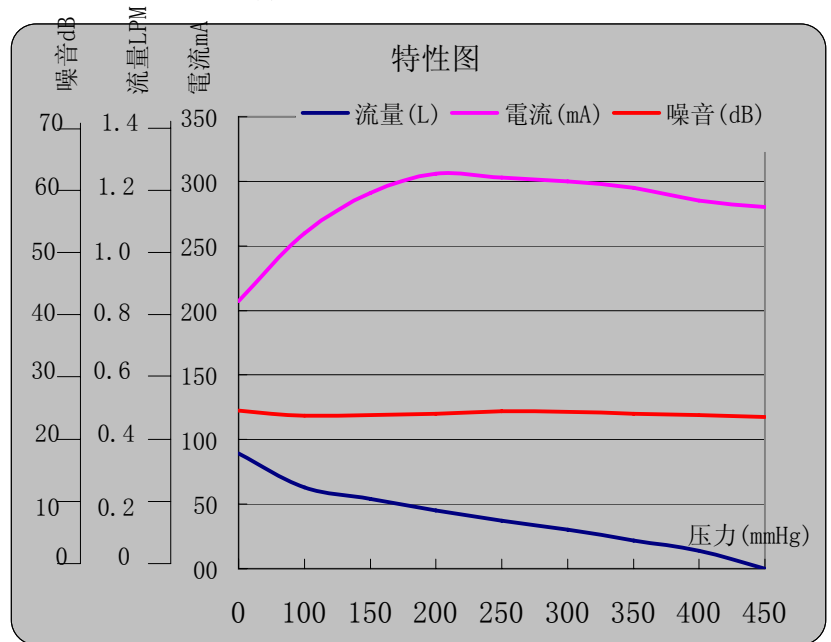


微型充气泵KPM12C

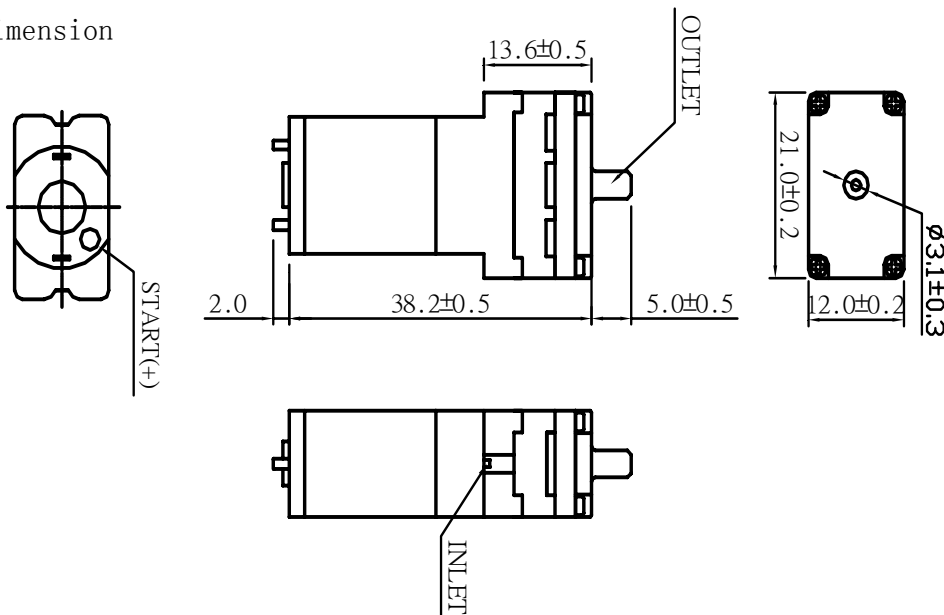
產品照片 Photo:



特性曲綫圖 Characteristic Curve:



產品尺寸: Dimension



Unit: mm

產品特性: Characteristic

- | | |
|--------------------------------------|---|
| 1. 定格電壓 Rated Voltage | DC3.0V |
| 2. 使用電壓範圍 Range of Operating Voltage | DC2.0~ 3.2 V |
| 3. 定格電流 Rated Voltage | <460mA |
| 4. 充氣時間 Inflation Time | <8s (From 0 to 300 mmHg in a 100CC tank.) |
| 5. 使用流体 Fluid Applied | Air |
| 6. 氣嘴口徑 Outlet Port O.D. | 3.1mm |
| 7. 流量 Air Flow | >1LPM |
| 8. 最大壓力 Maximum Pressure | >350mmHg |
| 9. 氣密性 Leakage | Max 3mmHg/min (From 300mmHg at 50cc tank) |
| 10. 最低使用電壓 Restart Voltage | 2.0V |
| 11. 噪音 Noise | <65dB (30cm away) |
| 12. 壽命 Life | 30,000 times (on 7sec, off 7sec as one cycle) |