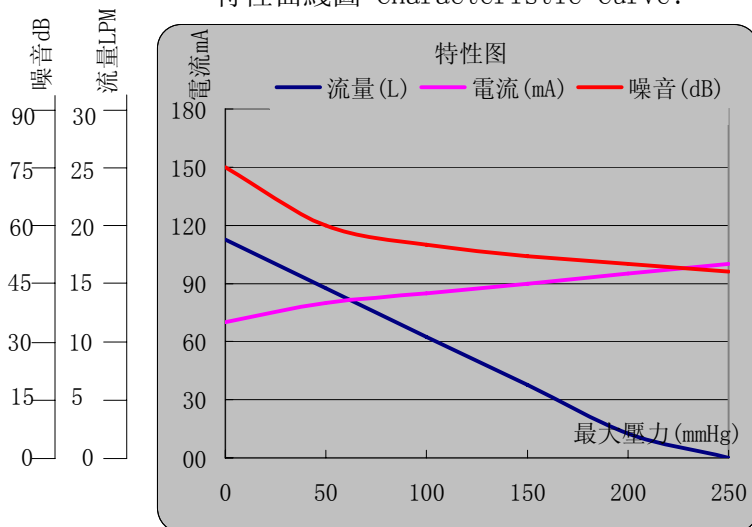


电磁泵KPT38A-220A

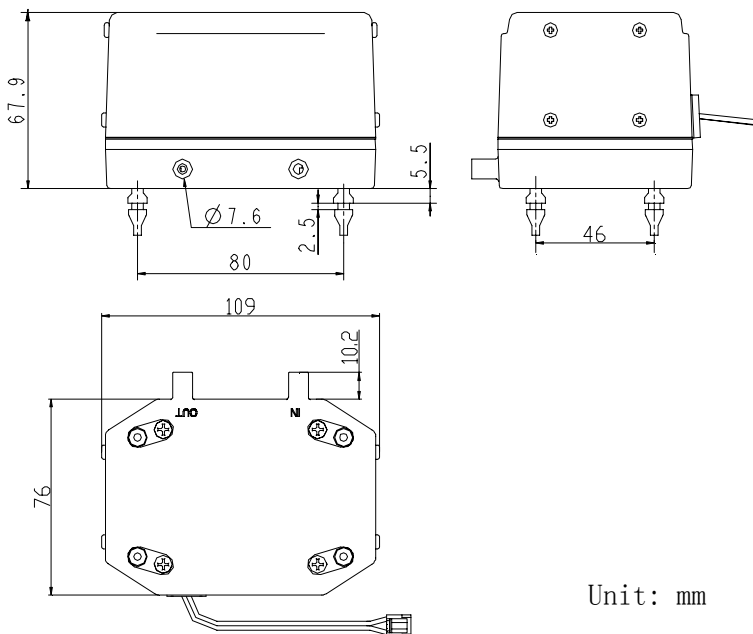
產品照片 Photo:



特性曲綫圖 Characteristic Curve:



產品尺寸: Dimension



Unit: mm

產品特性: Characteristic

- | | |
|----------------------------|--|
| 1. 定格電壓 Rated Voltage | AC 220V |
| 3. 定格電流 Rated Voltage | 100mA (50Hz AC220V)/140mA (60Hz AC220V) |
| 5. 消費功率 Power Consumption | 11W(50Hz AC220V)/14.5W (60Hz AC220V) |
| 6. 使用流体 Fluid Applied | Air |
| 7. 氣嘴口徑 Outlet Port O.D. | 7.6mm |
| 8. 流量 Air Flow | 15L(50Hz AC220V)/15L (60Hz AC220V) |
| 9. 最大壓力 Maximum Pressure | 225mmHg(50Hz AC220V)/255mmHg (60Hz AC220V) |
| 10. 最低使用電壓 Restart Voltage | 198V |
| 11. 絕緣等級 Insulation Grade | E |
| 12. 負載噪音 Loaded Noise | <45dB (50cm away) |
| 13. 壽命 Life | 4300Hr |